



Datasheet:

EtherHaul™ EH-ANT-1ft-H
E-band 70/80GHz 1ft heated antenna

and

EtherHaul™ EH-ANT-1ft-HR
E-band 70/80GHz 1ft heated antenna radome

July 2018 (A1)

Introduction

EtherHaul™ E-band ODUs support a variety of antennas depending on the intended application, from street level to rooftop, from short to long reach. This document describes the **EH-ANT-1ft-H**, a heated antenna for prevention of ice accumulation on the radome of the antenna. A radome replacement kit is also available for existing links with 1ft antennas (part number **EH-ANT-1ft-HR**). Specification tables are provided, together with a block diagram (figure 1), and deployment pictures (figure 3).

EtherHaul™ 1ft E-band heated antenna: datasheet

The compatibility and specification of the **EH-ANT-1ft-H** are listed in the table below.

COMPATIBILITY	EH-700TX/710T/710TX (EXT versions) EH-1200T/TX, EH-1200F/FX EH-2200F/FX, EH-2500F/FX EH-5500FD, EH-8010FX
ANTENNA SPECIFICATION	
Frequency Range	71 – 86 GHz
Regulatory Compliance	ETSI: EN 302 217-4-2 V1.5.1 Class 2 FCC: 47CFR101
Gain	43 dBi +/- 2dB
3 dB Beam	0.9°
Polarization	Linear Vertical / Horizontal
Input RF power	10 W (max)
Interface	Circular waveguide E-band
Weight	2.2kg (4.8 lbs.), antenna only.
Radome	Plastic
CONTROLLER SPECIFICATION	
DC input power	48VDC, 30W (screw terminal inside the controller)
Distance antenna to controller	19" (50cm, cable provided)
Heater controller Size Weight	5.9x4.3x2.7" (15x11x7 cm) 1.2 Lbs. (550 gr)

Note: It is possible to add the heating function to an existing 1ft antenna (EH-ANT-1ft or EH-ANT-1ft-B, or antenna included as part of an ODU such as EH-1200TX-ODU-1ft or EH-1200FX-ODU-H-1ft). Part number **EH-ANT-1ft-HR** includes the heating radome and the controller.

The environmental specifications are listed in the following table:

ENVIRONMENTAL SPECIFICATION				
TEST	STANDARD	DURATION	TEMPERATURE	NOTES
Low Temperature	IEC 68-2-1	72 h	-55°C (-67°F)	-
High Temperature	IEC 68-2-2	72 h	+71°C (159.8°F)	-
Water Tightness	IEC 529	-	-	IP67 *
Solar Radiation	ASTM G53	1000 h	-	-
Ice And Snow	-	-	-	25mm Radial
Wind Speed Survival Operation	- - -	- - -	- - -	220 Km/h 160 Km/h

* IP67 when the antenna is correctly mounted on the radio per Siklu installation guide.

FIGURE 1: EH-ANT-1ft-HR block diagram

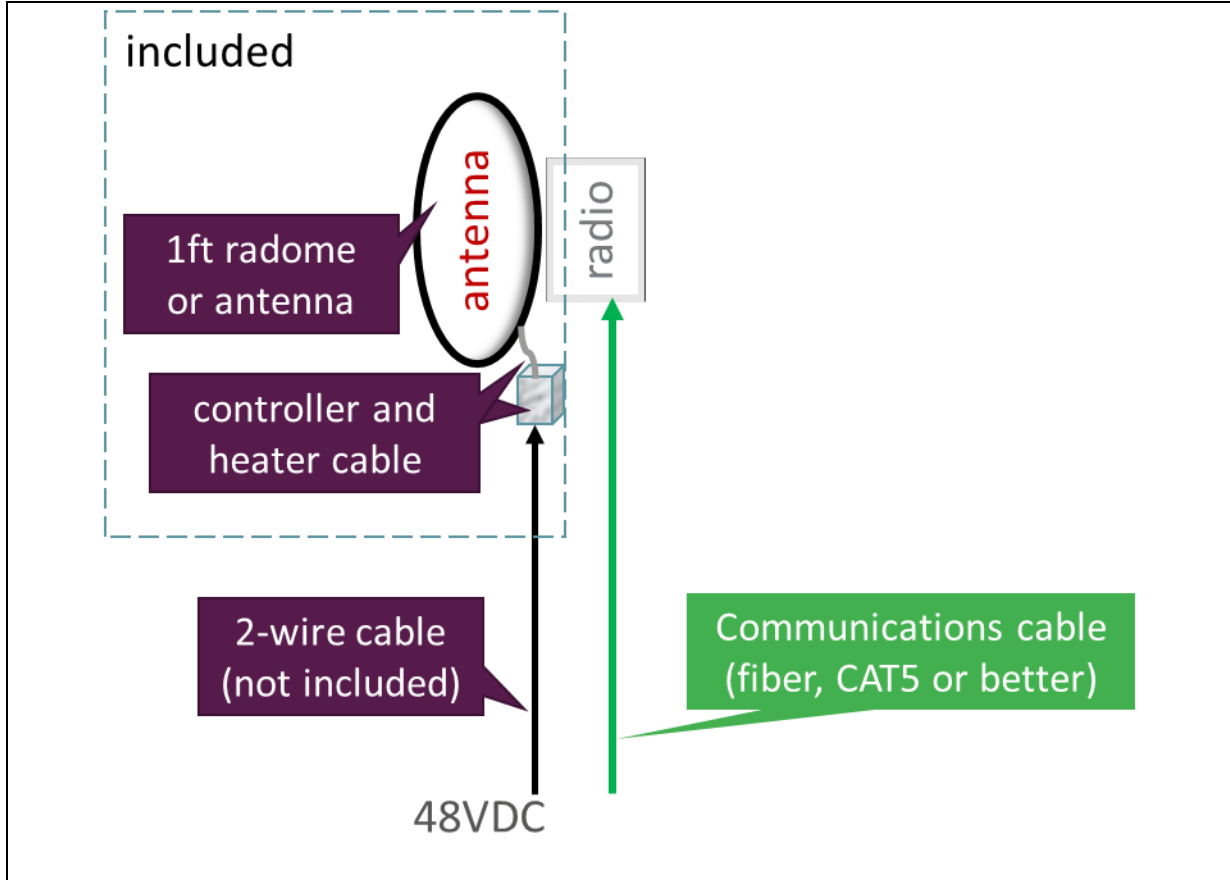


FIGURE 2: 1FT Antenna outline drawing (EH-ANT-1ft-H)

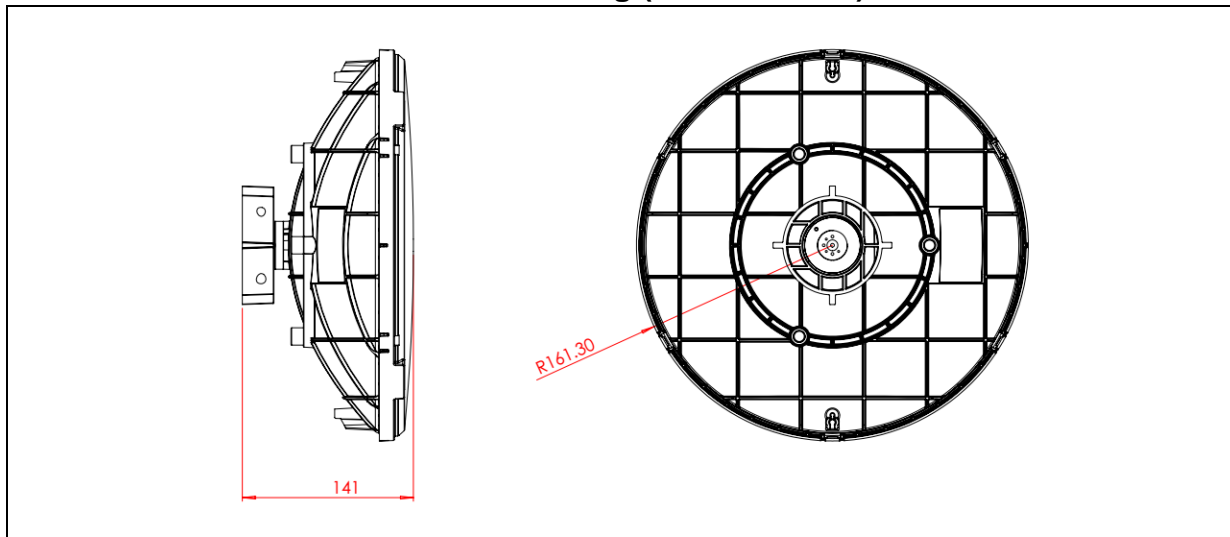


FIGURE 3: EH-1200TX-ODU-1ft upgraded with EH-ANT-1ft-HR

